

Opportunities to Expand the Public Health Impact of the Sentinel Initiative

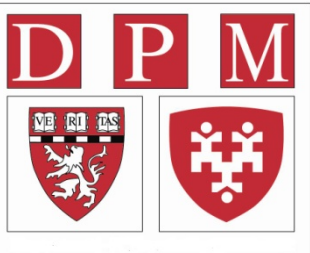
FDA Mini-Sentinel as a National Resource

Jeffrey Brown

Harvard Pilgrim Health Care Institute

Harvard Medical School

January 31, 2013



Outline

- ❑ External engagement
- ❑ How Mini-Sentinel operates
 - The pieces that make the whole
- ❑ Leverage the pieces to accelerate research
 - Example of the NIH Health Care System Collaboratory

External engagements

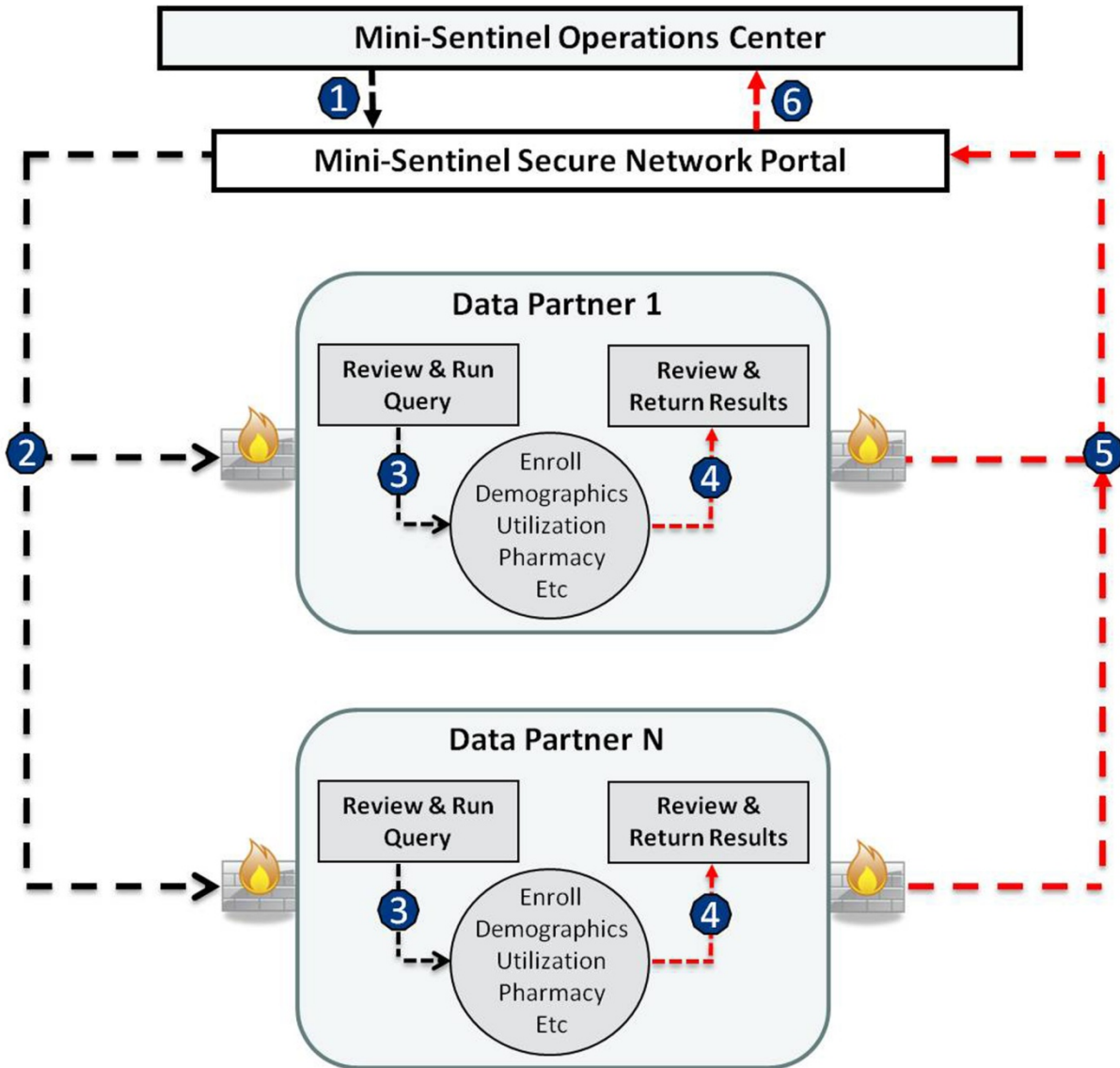
- ❑ OMOP
- ❑ Clinical Trials Transformation Initiative
- ❑ ONC Standards & Interoperability Framework (Query Health)
- ❑ NIH Health Care System Collaboratory
- ❑ IOM Roundtable on Value and Science-Driven Health Care
- ❑ Academy Health EDM Forum
- ❑ Other new partners as opportunities present

Goals of the external engagements

- ❑ Know what others are doing to inform our activities
- ❑ Describe what we are doing to inform their activities
- ❑ Build resources consistent with national standards
 - Data standards
 - Security
 - Distributed querying
- ❑ Inform others of our approaches and lessons learned
 - IOM, AcademyHealth, AMIA, *ad-hoc*
- ❑ Find shared needs across stakeholders
 - PCORI, NIH, CDC, ONC, etc

How Mini-Sentinel Works

Mini-Sentinel distributed analysis



1- User creates and submits query (a computer program)

2- Data partners retrieve query

3- Data partners review and run query against their local data

4- Data partners review results

5- Data partners return results via secure network

6 Results are

How it works: Coordinating Center

Coordinating Center

- **Governance and Operations**

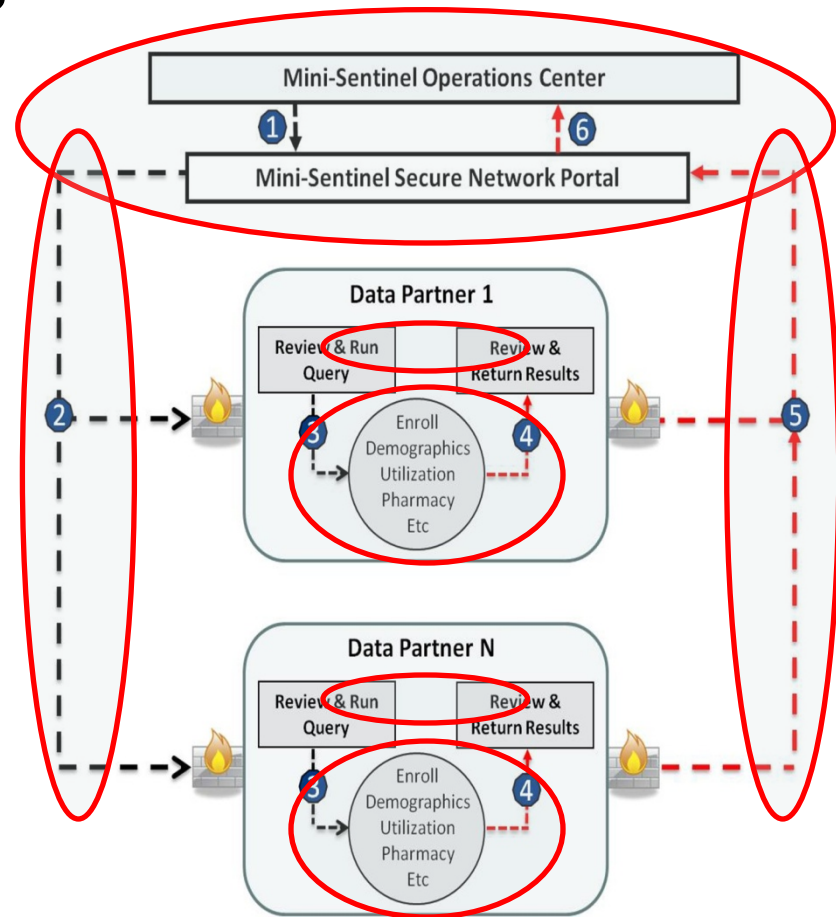
- ✓ Policies and contracting
- ✓ Standard operating procedures
- ✓ Legal and regulatory compliance
- ✓ Internal and external engagement
- ✓ Expectations for participation
- ✓ Communications

- **Data Integrity and Availability**

- ✓ Data model management
- ✓ Data integrity: Fitness for purpose
- ✓ Refresh management and approval
- ✓ Data, methods, and use expertise
- ✓ Immediate information and Data Partner access

- **Query Tools**

- ✓ Data security and privacy
- ✓ Querying capabilities
- ✓ Querying processing and reporting



How it works: Data resources

Coordinating Center

- Governance and Operations
- Data Integrity and Availability
- Query Tools

Data Partners

• Data Availability

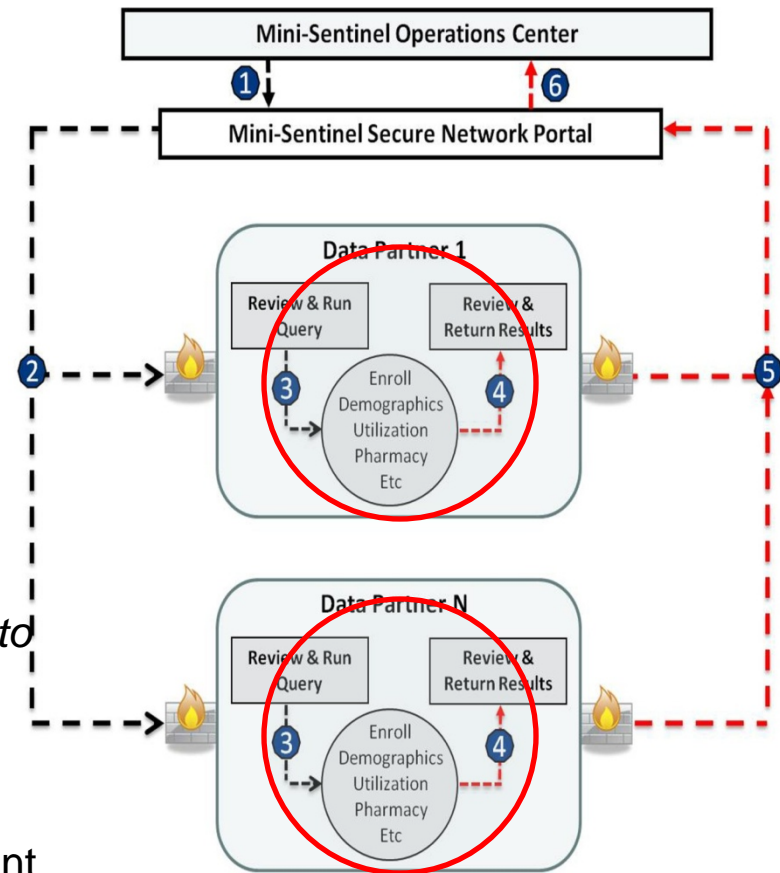
- ✓ Data model and expansion
- ✓ Data refreshes and integrity
- ✓ *Immediate access to analysts and investigators to assist interpretation of findings*

• Query Responsibilities

- ✓ Maintain infrastructure for rapid response
- ✓ Rapid response based on service level agreement

• Query Tools

- ✓ Testing and review of querying tools
- ✓ Query tool approval

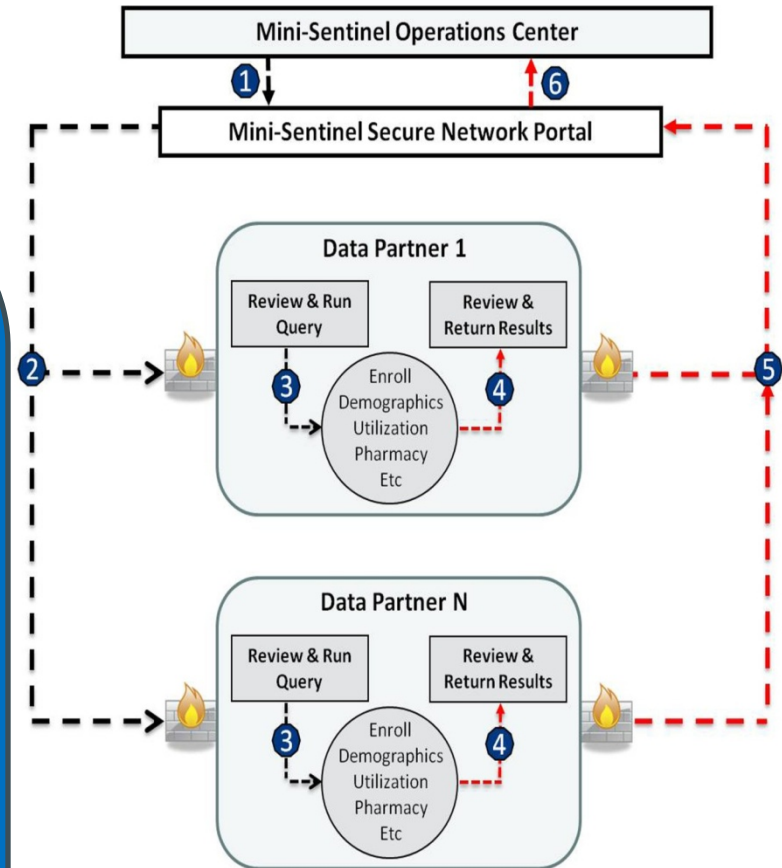


Why it works for Mini-Sentinel

Coordinating Center Data Partners

Mini-Sentinel needs

- Responsiveness
 - ✓ Frequent rapid response queries
 - ✓ Quickly modify existing query types
 - ✓ Design / test new query types
 - ✓ Design / test new data resources
 - ✓ Determine fitness of data for new uses
 - ✓ Investigate unanticipated results
- Data Partner Commitment
 - ✓ Data always available for use
 - ✓ Guaranteed response times



Why it works for Mini-Sentinel

Coordinating Center Data Partners

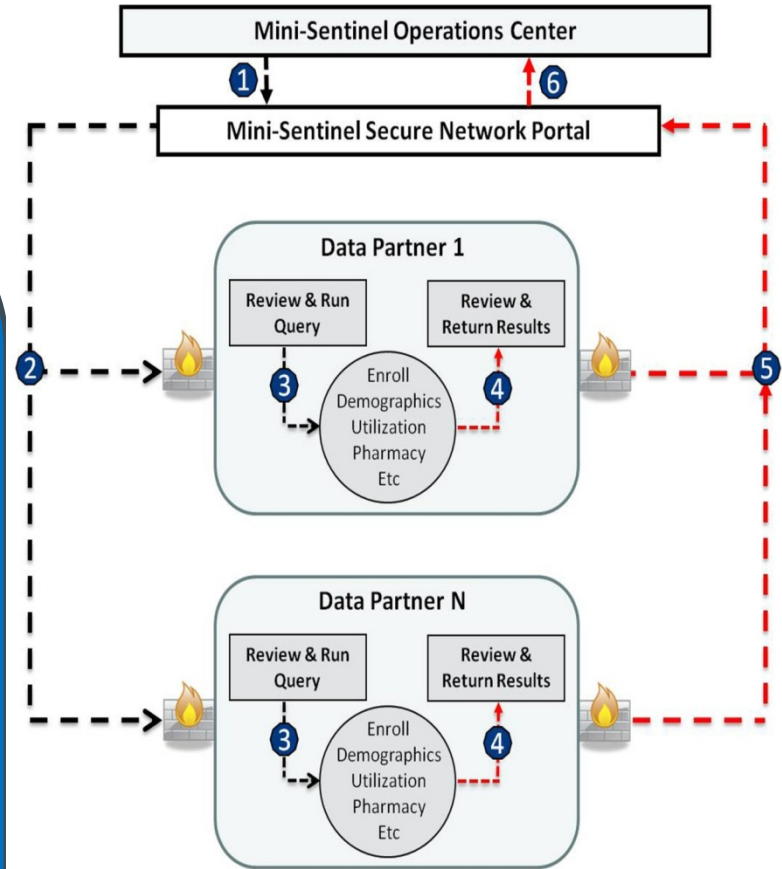
Mini-Sentinel needs

- Responsiveness
- Data Partner Commitment



Tightly Coupled Network

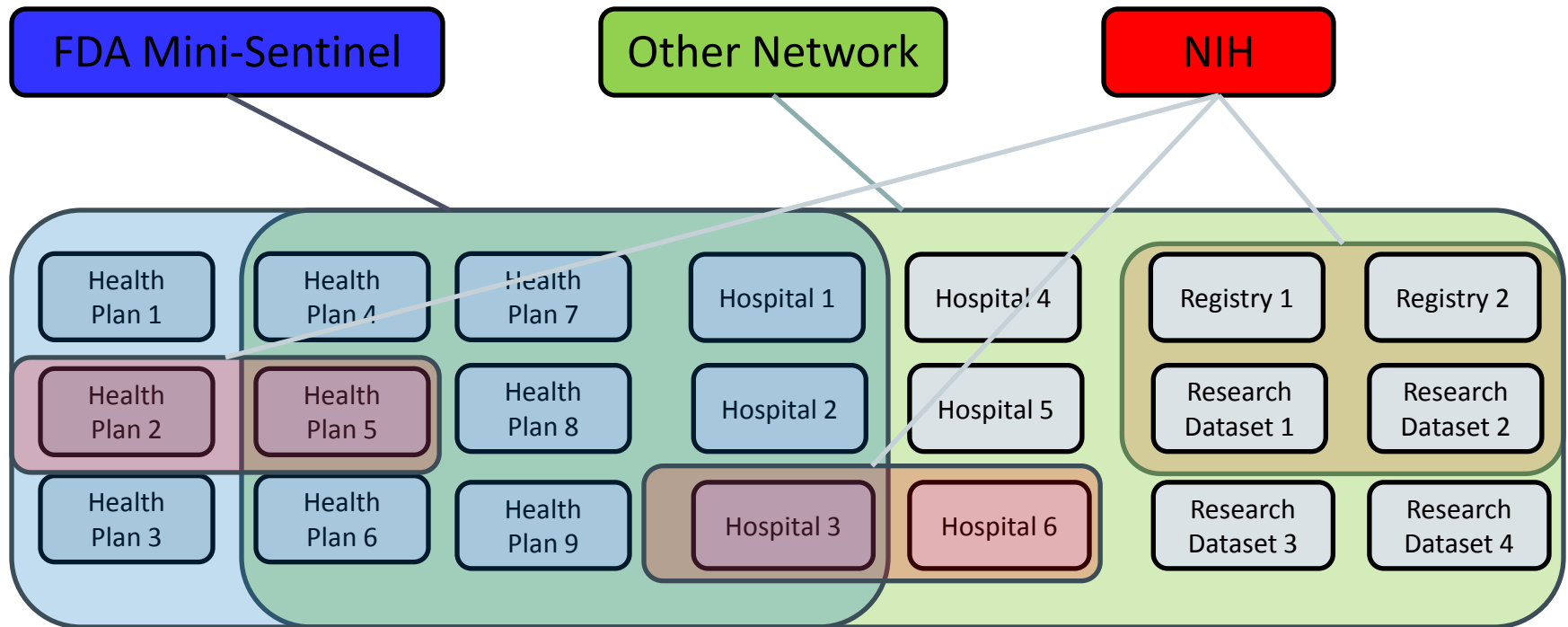
Daily interaction between
Coordinating Center and
Data Partners



How (and Why) to Leverage It To Build Other Networks

It's really hard to build a
network from scratch

Multiple Networks Sharing Infrastructure



- ❑ **Partner Organizations** can choose to participate in multiple networks
- ❑ **Networks** can leverage existing data, query tools, program libraries



NIH Health Care Systems Collaboratory

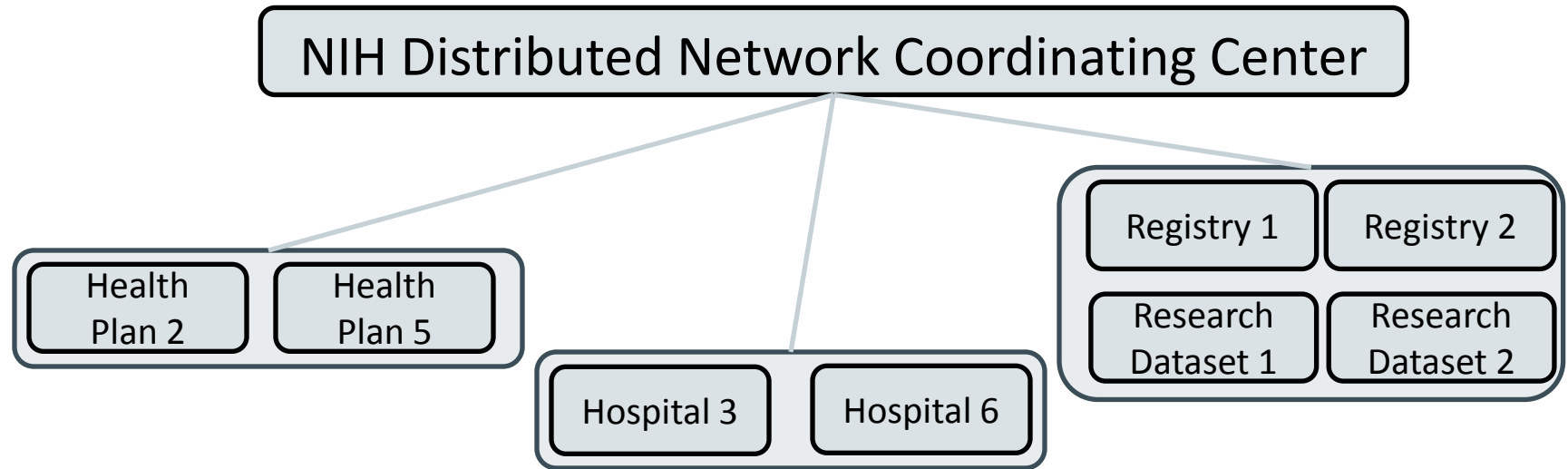
Home of the NIH Distributed Research Network

Millions of lives. Strong collaborations. Privacy first.

A Virtual Home for Knowledge about Pragmatic Clinical Trials
using Health Systems

The Collaboratory

NIH Distributed Research Network (as envisioned)



- ❑ Designed to allow use of existing Mini-Sentinel and others tools
 - Can use many data types, e.g., EHR, claims, registries
 - Can use many data models, e.g., Mini-Sentinel, i2b2, OMOP
 - Can use existing querying tools, e.g., Mini-Sentinel modular programs
- ❑ Studies involve negotiation, planning, and investigation of data's fitness for purpose

Thank you!